

High End Systems Installation Guide

SolaPix Snoot

Overview

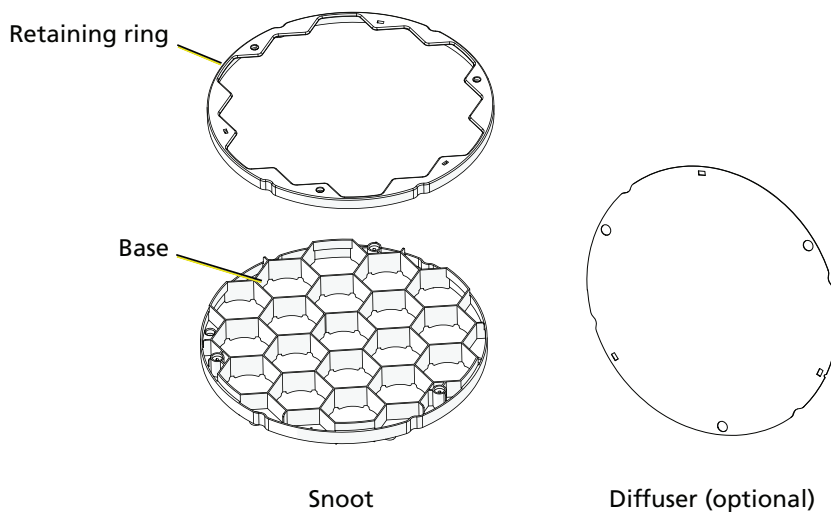
Congratulations on your purchase of a snoot for your SolaPix fixture.

Snoots are available for SolaPix 7, SolaPix 19, and SolaPix 37 fixtures. The graphics used in these instructions show SolaPix 19 components, but the instructions are the same for all SolaPix fixtures.

These instructions include the following procedures:

- [Install a Snoot on the next page](#)
- [Install a Snoot Diffusion Assembly on page 3](#)
- [Install a Diffuser in an Existing Snoot on page 5](#)

The snoot has 2 parts: a retaining ring and a base. If you purchased a snoot diffusion assembly, your kit also includes a diffuser. Kit part numbers are listed on [page 7](#).



HIGH END SYSTEMS



an ETC Company

Headquarters ■ 2105 Gracy Farms Lane, Austin, TX, 78758 USA ■ Tel +512 836 2242 ■ Fax +512 837 5290
Global Offices ■ London, UK ■ Holzkirchen, DE ■ Hong Kong ■ **Web** highend.com ■ **Support** support.etcconnect.com/HES
© 2020 Electronic Theatre Controls, Inc. ■ Product information and specifications subject to change.
ETC intends this document to be provided in its entirety. ■ Trademark and patent info: etcconnect.com/ip
SolaPix Snoot Installation Guide ■ Rev A ■ Released 2020-08

High End Systems Installation Guide

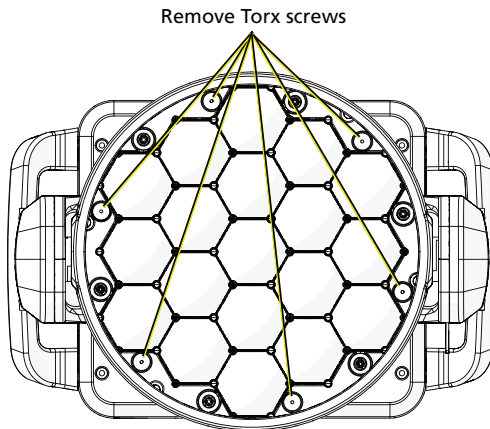
SolaPix Snoot

Install a Snoot

Tool required:

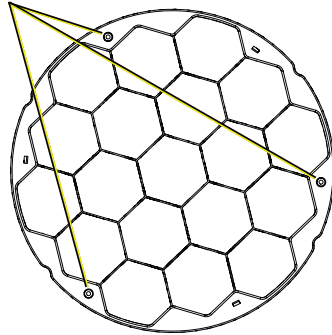
- T10 Torx screwdriver

1. Disconnect power to the SolaPix fixture.
2. Place the fixture on its base with the user interface display facing you.
3. Orient the head of the fixture so that the lens faces up, and lock the pan and tilt locks.
4. Remove the six 6 mm-long Torx screws from the front of the zoom plate. Set the screws aside for use later in this procedure.



5. Place the snoot on a clean, flat work surface, and remove the three 8 mm-long Torx screws from the snoot. Set the screws aside for use later in this procedure.

Remove Torx screws

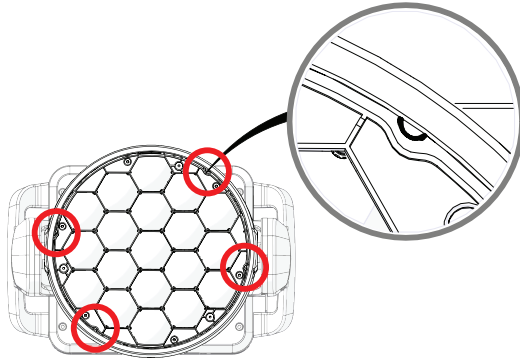


6. Remove the retaining ring and set it aside.

High End Systems Installation Guide

SolaPix Snoot

7. Position the base of the snoot on the zoom plate in the fixture. Orient the base so that the four grooves on the edge of the base fit into the corresponding ridges in the fixture (see the graphic below), and verify that the six screw holes on the base align with the six screw holes on the zoom plate.



8. Reinstall the six 6 mm-long Torx screws to secure the base of the snoot to the fixture.
9. Position the retaining ring in the fixture. Align the grooves on the edge of the retaining ring with the grooves on the base of the snoot, and verify that the three screw holes on the retaining ring and the base are aligned.
10. Reinstall the three 8 mm-long Torx screws to secure the retaining ring to the base of the snoot.
11. Unlock the pan and tilt locks.
12. Power on the SolaPix fixture, and test the zoom feature to confirm that the snoot was properly installed.

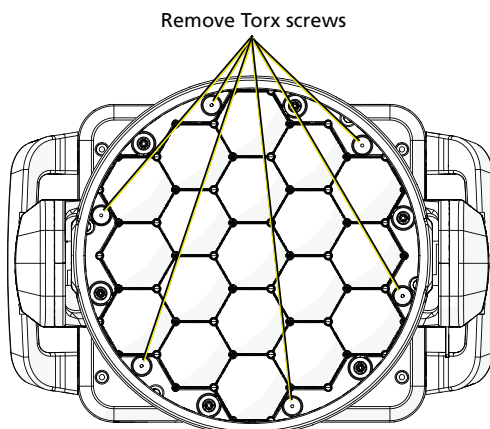
Install a Snoot Diffusion Assembly

Assembly parts:

- Snoot
- Diffuser

Tool required:

- T10 Torx screwdriver
1. Disconnect power to the SolaPix fixture.
 2. Place the fixture on its base with the user interface display facing you.
 3. Orient the head of the fixture so that the lens faces up, and lock the pan and tilt locks.
 4. Remove the six 6 mm-long Torx screws from the front of the zoom plate. Set the screws aside for use later in this procedure.

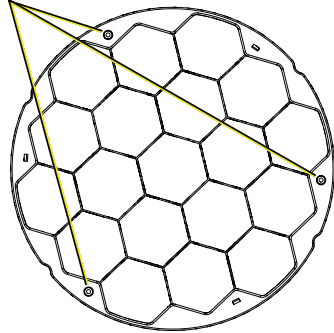


High End Systems Installation Guide

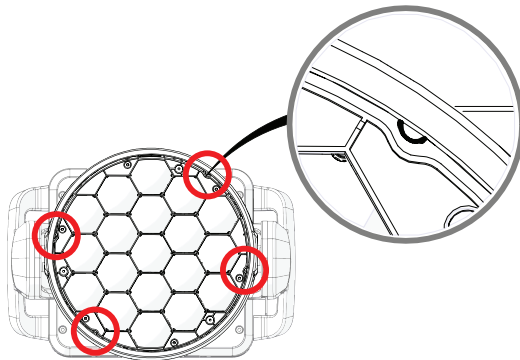
SolaPix Snoot

5. Place the snoot on a clean, flat work surface, and remove the three 8 mm-long Torx screws from the snoot. Set the screws aside for use later in this procedure.

Remove Torx screws



6. Remove the retaining ring and set it aside.
7. Position the base of the snoot on the zoom plate in the fixture. Orient the base so that the four grooves on the edge of the base fit into the corresponding ridges in the fixture (see the graphic below), and verify that the six screw holes on the base align with the six screw holes on the zoom plate.



8. Reinstall the six 6 mm-long Torx screws to secure the base of the snoot to the fixture.
9. Place the retaining ring face down on a clean, flat work surface.
10. Remove the protective film from both sides of the diffuser.



Note: *The shape of the beam will be distorted if you do not remove the film from both sides of the diffuser.*

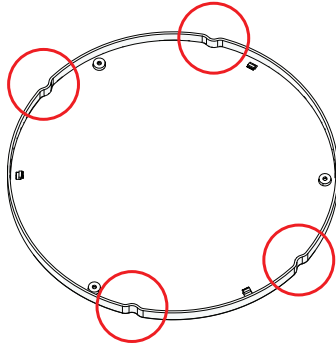
High End Systems Installation Guide

SolaPix Snoot

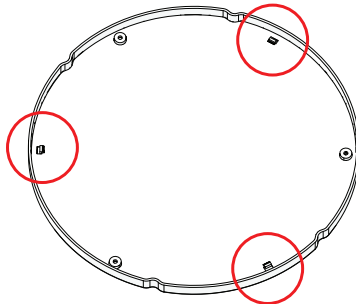
11. Orient the diffuser in the retaining ring so that the four grooves in the diffuser align with the four notches in the retaining ring.



Note: *The two sides of the diffuser are not interchangeable. If you have difficulties aligning the diffuser with the retaining ring, turn the diffuser over and try again.*



12. Gently press the edges of the diffuser so that the three tabs on the retaining ring lock into the slots on the diffuser to hold it in place.



13. Turn the retaining ring face up, and position it in the fixture. Align the grooves on the edge of the retaining ring with the grooves on the base of the snoot, and verify that the three screw holes on the retaining ring and the base are aligned.
14. Reinstall the three 8 mm-long Torx screws to secure the retaining ring to the base of the snoot.
15. Unlock the pan and tilt locks.
16. Power on the SolaPix fixture, and test the zoom feature to confirm that the snoot diffusion assembly was installed properly.

Install a Diffuser in an Existing Snoot

You can add a diffuser to a previously installed snoot, or you can order a replacement diffuser. See [Accessory Part Numbers on page 7](#).

Tool required:

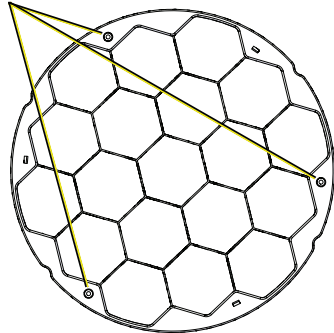
- T10 Torx screwdriver
1. Disconnect power to the SolaPix fixture.
 2. Place the fixture on its base with the user interface display facing you.
 3. Orient the head of the fixture so that the lens faces up, and lock the pan and tilt locks.

High End Systems Installation Guide

SolaPix Snoot

4. Remove the three Torx screws that secure the retaining ring to the base of the snoot. Set the screws aside for use later in this procedure.

Remove Torx screws



5. Remove the retaining ring from the fixture and place it face down on a clean, flat work surface.
6. Remove the protective film from both sides of the diffuser.

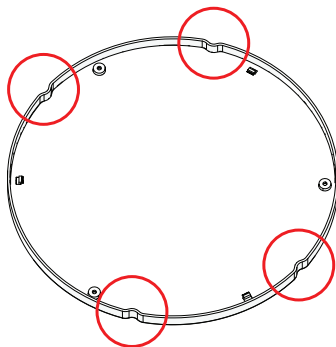


Note: *The shape of the beam will be distorted if you do not remove the film from both sides of the diffuser.*

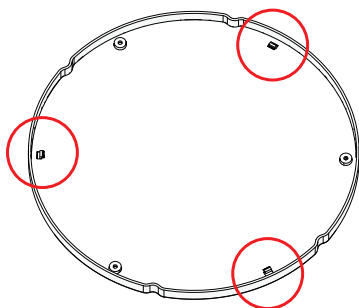
-
7. Orient the diffuser in the retaining ring so that the four grooves in the diffuser align with the four notches in the retaining ring.



Note: *The two sides of the diffuser are not interchangeable. If you have difficulties aligning the diffuser with the retaining ring, turn the diffuser over and try again.*



8. Gently press the edges of the diffuser so that the three tabs on the retaining ring lock into the slots on the diffuser to hold it in place.



High End Systems Installation Guide

SolaPix Snoot

9. Turn the retaining ring face up, and position it in the fixture. Align the grooves on the edge of the retaining ring with the grooves on the base of the snoot, and verify that the three screw holes on the retaining ring and the base are aligned.
10. Reinstall the three Torx screws to secure the retaining ring to the base of the snoot.
11. Unlock the pan and tilt locks.
12. Power on the SolaPix fixture, and test the zoom feature to confirm that the snoot diffusion assembly was installed properly.

Accessory Part Numbers

Part Number	Description
2594A1020	Snoot, SolaPix 7
2595A1020	Snoot, SolaPix 19
2596A1020	Snoot, SolaPix 37
2594A1021	Snoot diffusion assembly, SolaPix 7
2595A1021	Snoot diffusion assembly, SolaPix 19
2596A1021	Snoot diffusion assembly, SolaPix 37
2594A4017	Diffuser, SolaPix 7
2595A4020	Diffuser, SolaPix 19
2596A4003	Diffuser, SolaPix 37